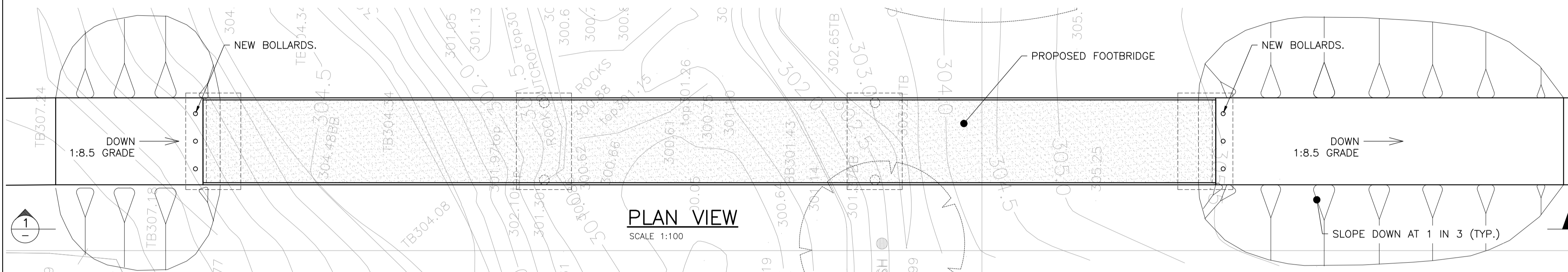
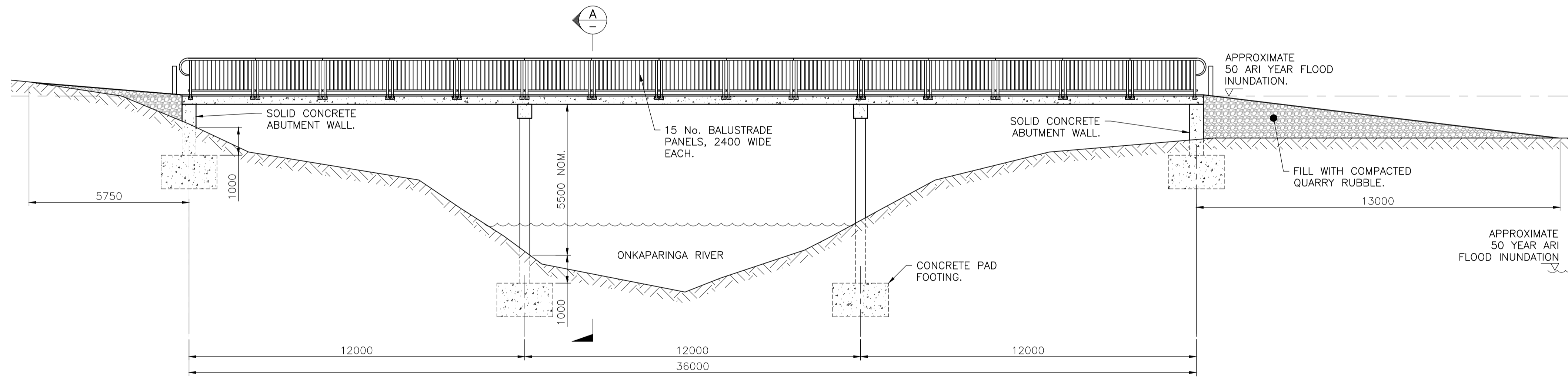


SITE PLAN
SCALE 1:200

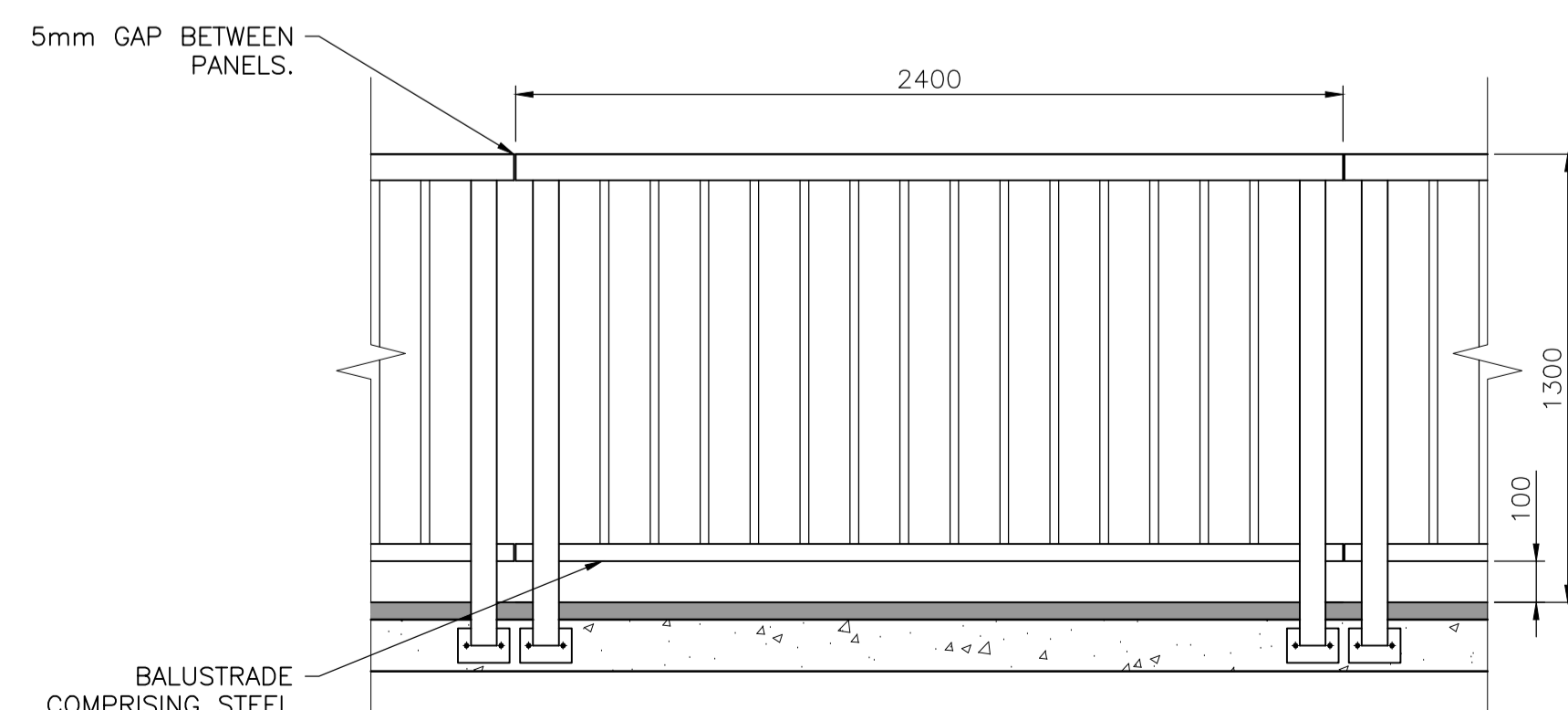


PLAN VIEW
SCALE 1:100



ELEVATION 1
SCALE 1:100

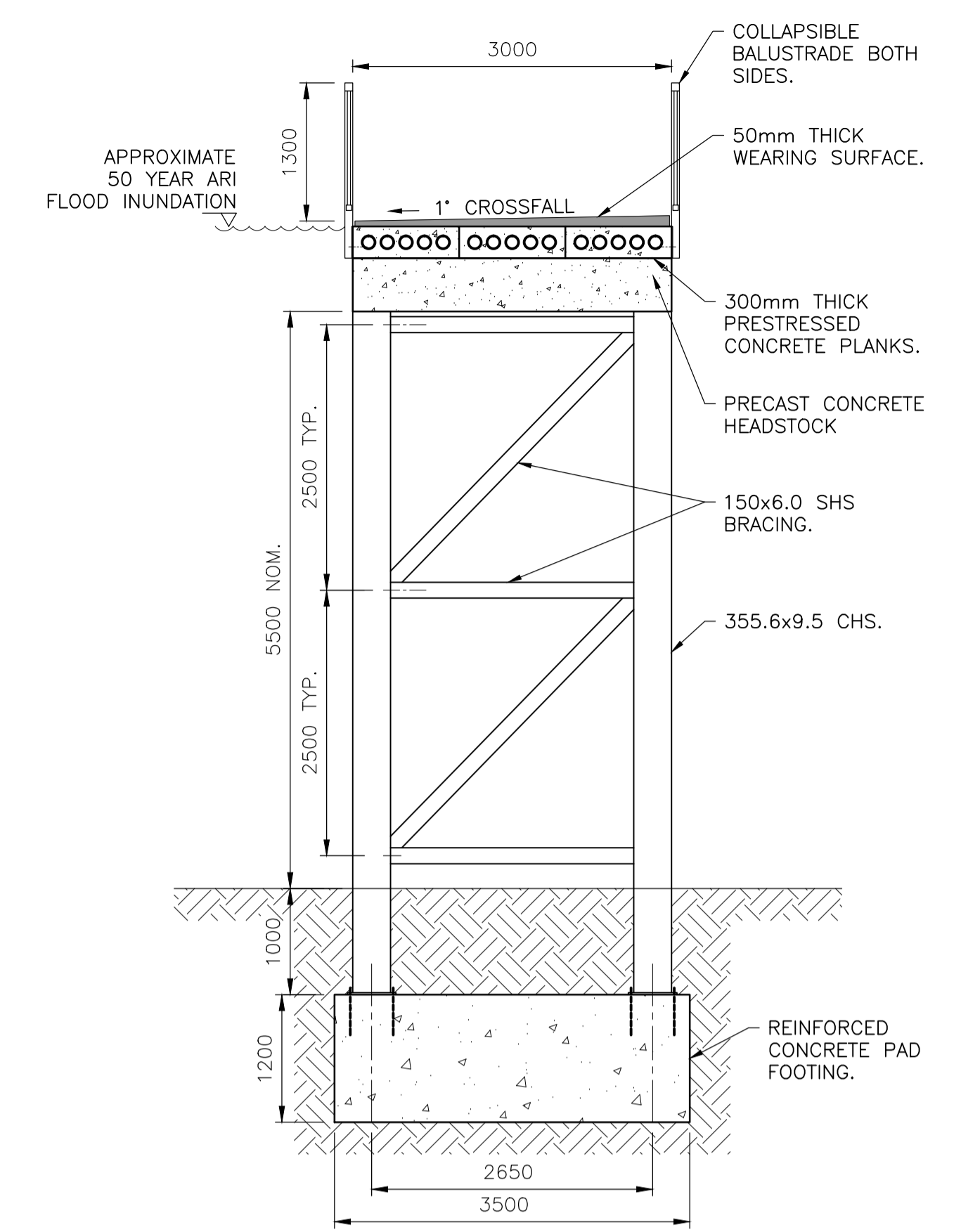
NOTE: OPTION WITH CONCRETE PLANKS SHOWN. COMPOSITE STEEL BEAM BRIDGE SIMILAR.



TYPICAL BALUSTRADE PANEL ELEVATION
SCALE 1:20

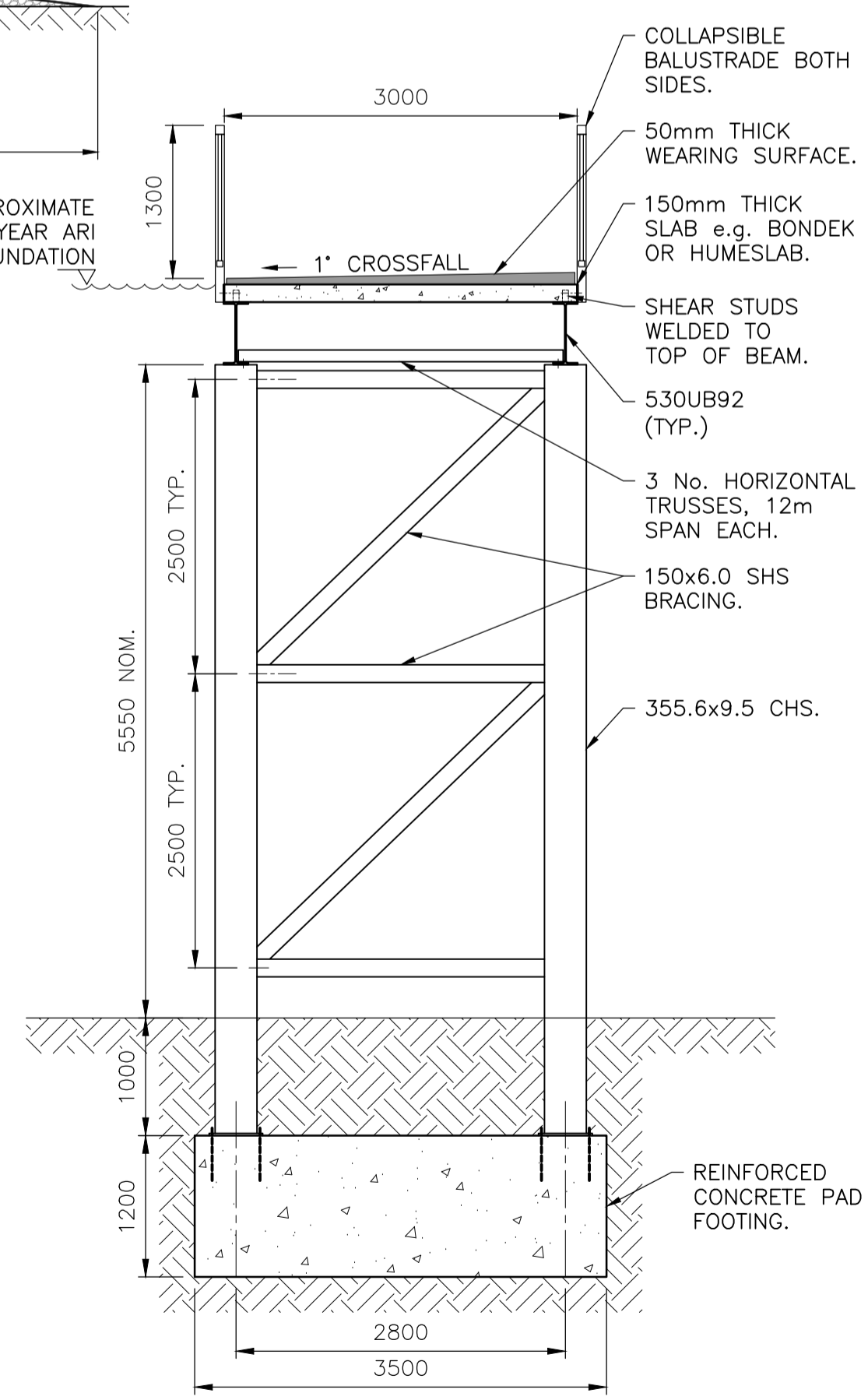
DESIGN LOADS TO AS 5100.2-2004
4 kPa LIVE LOAD
IMPACT FROM FLOATING LOG WITH MASS OF 3.5t
DRAG FORCE ON SUPERSTRUCTURE DUE TO WATER BASED ON 2.08m/s VELOCITY OF WATER FLOW

CONCEPT ONLY
THE ARRANGEMENT SHOWN IS FOR DISCUSSION PURPOSES ONLY. IT MUST NOT BE USED FOR CONSTRUCTION.



SECTION A
SCALE 1:50

OPTION 1- PRECAST CONCRETE PLANKS.



SECTION A
SCALE 1:50

OPTION 2- COMPOSITE STEEL BEAMS

B	MINOR AMENDMENTS	KS	24.02.14
A	PRELIMINARY ISSUE	KS/WS	19.02.14
ISSUE	AMENDMENTS		INT./DATE



ENGINEERING CONSULTANTS
267 BRIGHTON ROAD
SOMERTON PARK, SA 5044
TELEPHONE: (08) 8295 8677
www.magryn.com.au

> MINING
> STRUCTURAL
> COASTAL
> CIVIL

CLIENT:
THE WALKING FEDERATION OF SA INC.

PROJECT:
PEDESTRIAN BRIDGE

PROJECT ADDRESS:
**SANDOW ROAD
VERDUN**

TITLE:
PLAN, ELEVATION, SECTIONS

CONTRACTORS MUST VERIFY ALL DIMENSIONS PRIOR TO ANY OFF SITE FABRICATION.

DESIGN: CH	SCALE: AS SHOWN	DATE: FEB 2014
SHEET SIZE: A1	DRAWING NUMBER: 13569-1	REVISION: B